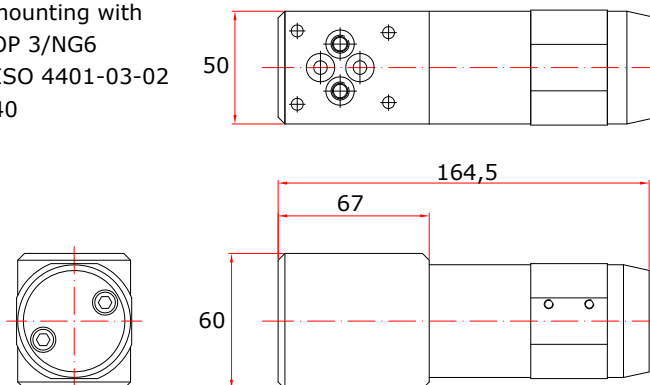




## Operation Instructions for the MP-C Pressure Intensifier



For subplate mounting with interface CETOP 3/NG6 according to ISO 4401-03-02 and DIN 24 340



### Before installing the intensifier

Ensure the surroundings and the connecting parts are clean and free from burrs.

### Filtration requirements

10 µm nominal or better, maximum 19/16 according to ISO 4406

### Installing the MP-C intensifier

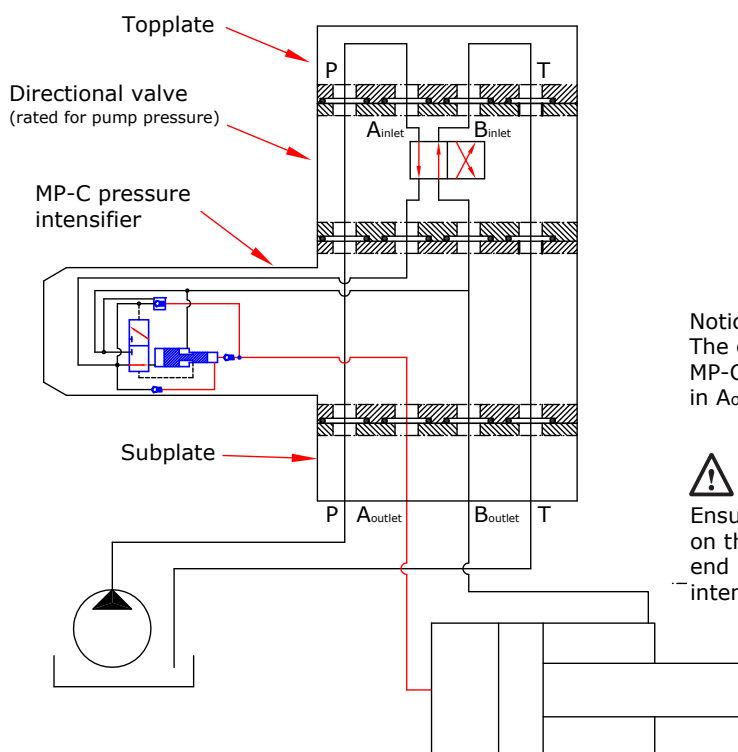
The MP-C is designed for CETOP 3 / NG6 subplate mounting, and should be positioned lowest in the stacking system right on top of the subplate. Installation to be done by trained personnel only.

### Fluids

For use with standard hydraulic oils and water glycol (min. 5% glycol). Preferred viscosity range 20 - 46 cSt

### Hydraulic bleeding

During start-up of the system, it is recommended to ensure no air is trapped in the system, as this may cause function problems.



Notice:  
The end pressure delivered by the MP-C pressure intensifier is present in Aoutlet only

**CAUTION:**  
Ensure the fittings and components on the output side are rated for the end pressure delivered by the MP-C intensifier.

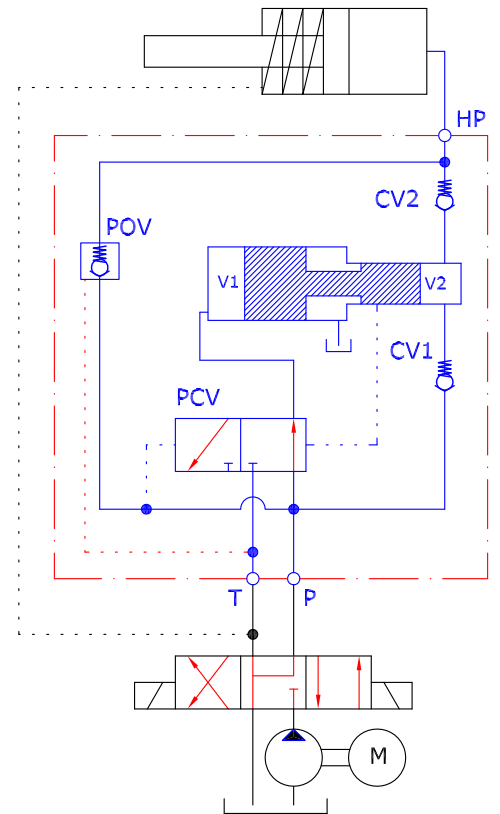
## Function

The MP-C is a subplate mounted hydraulic pressure intensifier designed to increase a supplied pump pressure to a higher end pressure (for fluids only). The intensification ratio is fixed, and the end pressure is always proportional with the supplied pressure. Fig. 1 shows the schematic of the MP-C intensifier increasing the pressure in a single or double acting cylinder.

When applying flow to the  $A_{inlet}$ -port and connecting the  $B_{inlet}$ -port to tank, the full pump flow will go straight through the intensifier check valves CV1, CV2 and POV (optional) through  $A_{outlet}$  to the cylinder, allowing the rod to move out at pump speed. When the cylinder is filled up and the pressure has risen to pump pressure, the intensifier pistons automatically increase the pressure to the set end pressure. Keeping the pump connected ensures the intensifier will automatically work to maintain the end pressure in the cylinder, in case the pressure drops.

If the POV is integrated the cylinder can be retracted by changing the position of the directional valve positioned above the MP-C pressure intensifier connecting the  $A_{inlet}$  to tank and the  $B_{inlet}$  to pump. This will open the POV creating a free passage from the  $A_{outlet}$  back to tank.

Fig.1



## Intensification ratios, flow and pressure settings

Product number*	Intensification ratio	Max. supply Flow** (LPM)	Outlet supply pressure*** (bar)	Average outlet Flow**** (LPM)	Outlet pressure range***** (bar)
MP-C-1.5 / MP-C-1.5-S	1.5	15.0	200	0.3	30 - 300
MP-C-2.0 / MP-C-2.0-S	2.0	15.0	200	0.5	40 - 400
MP-C-2.8 / MP-C-2.8-S	2.8	8.0	179	0.3	56 - 500
MP-C-3.4 / MP-C-3.4-S	3.4	15.0	147	0.5	68 - 500
MP-C-4.0 / MP-C-4.0-S	4.0	14.0	125	0.4	80 - 500
MP-C-5.0 / MP-C-5.0-S	5.0	14.0	100	0.3	100 - 500
MP-C-7.0 / MP-C-7.0-S	7.0	13.0	72	0.2	140 - 500
MP-C-9.0 / MP-C-9.0-S	9.0	13.0	56	0.1	180 - 500

\* -S means intensification only, no check valve POV is integrated.

\*\* Max. supply flow limits not to be exceeded, as this will damage the internal check valves and over speed the intensifier pistons.  
Min. supply flow is 2 LPM

\*\*\* Max. supply pressure limits not to be exceeded, as this will cause damage to the intensifier parts, and will cause to high outlet pressure.  
Pressure spikes must be avoided.

\*\*\*\* The Average flow is the flow generated by the intensifier pistons when increasing the pressure from pump pressure to end pressure. Initially the flow is high, and as the pressure increases the flow decreases and will eventually stop when the end pressure has been reached.

\*\*\*\*\* The outlet pressure is proportional with the supplied pressure, and can be set at any value within the range.  
The max. pressure within the range for each intensification ratio must not be exceeded

**For additional technical support in North America, please contact your authorized distributor or IC-Fluid Power, Inc. for more information: [sales@icfluid.com](mailto:sales@icfluid.com) or +1.877.423.5843.**